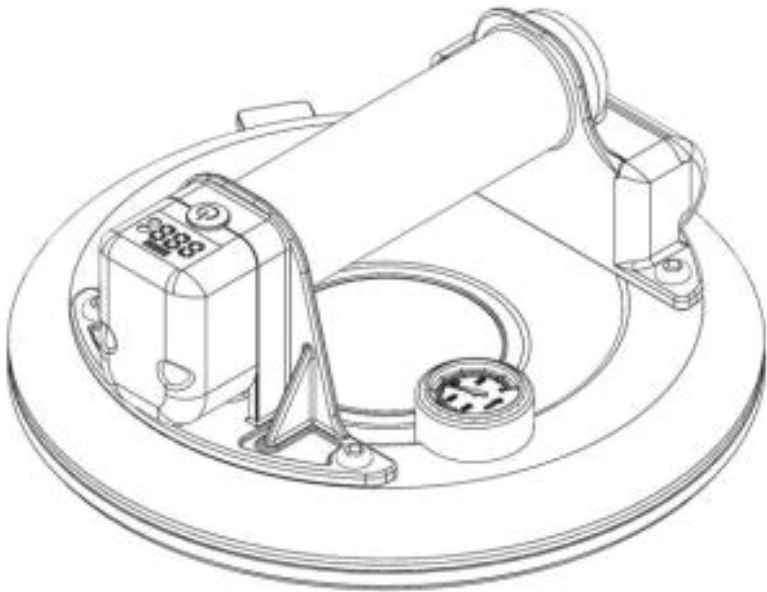




DIGITAL DISPLAY BATTERY VACUUM SUCTION CUP USER MANUAL



PRODUCT CODE:
BVSC731

©1989 TILE RITE™ TILE RITE IS A
TRADE MARK OF TILE ACCESSORIES LTD.

For our full range of products
visit: www.tilerite.co.uk



Safety First



WARNING!

Read manual before use. Always wear Vitrex Protective Equipment when using hand or power tools.

* For smooth & textured surfaces

Specifications

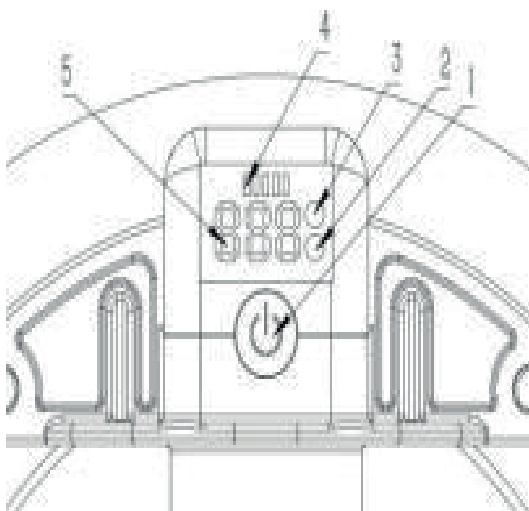
| | |
|----------------------------|------------------|
| Model : | FA1006 |
| Pressure retaining suction | 130KG |
| Sucker diameter | 210mm |
| Length of handle | 110mm |
| Nominal voltage | D.C. 3.7V - 4.2V |
| Battery specification | 21700 |
| Rated power | 3W |
| Net weight | 1KG |

- Manufacturer reserves the right to change specifications without notice
- Exact weight varies from attachment to attachment

Applications

This tool can adsorb non-leakage smooth surface materials such as ceramic tile, glass, metal and plastic.

Functional description



Long press the switch button for more than 2 seconds to start the electric sucker.

If the battery indicator blinks after the battery is started, replace the battery in time.

1. switch button
2. suction light
3. status light
4. power indicator light
5. Suction display

Air breathing model

After normal startup, automatic suction is entered mode

After entering the suction mode normally, the suction indicator lights up and the suction motor works.

When the inspiratory pressure reaches the holding pressure, the status indicator lights up. The suction motor works intermittently to maintain the working pressure.

You can view the battery status through the battery indicator. The suction can be monitored through the suction display.

Note: Suction indicator indicates the working state of the suction motor.

Air discharge model

In suction mode, doubleclick the switch and press button into vent mode.

When the vent is finished, all the lights go out.

Idle protection mode

In suction mode, there is no pressure preservation for 40 secondsautomatic sleep

Quick switch and rest fast sleep function

Within 5 minutes after the bleed mode, the single machine switch button will switch the suction mode. None 5 minutes later, the system automatically enters the sleep mode and needs to grow againpress start

Shutdown

In the suction mode, long press the switch button for more than 2 seconds, and the electric sucker must be turned on again when it enters the hibernation mode.

In venting mode, if no operation is performed within 5 minutes after venting, the electric sucker must be restarted after entering hibernation mode.

Use process

- 1. Clean the surface of the object to be adsorbed.**
- 2. Ensure that the bottom plate of the sucker is clean and intact.**
- 3. Touch the suction cup to the surface of the adsorbent and use the suction mode to absorb the object.**
- 4. Ensure that the working status indicator is steady on before moving the object.**
- 5. Release the adsorbed object using the air release mode after handling.**

Safety warning

General safety warning

Keep warnings and instructions for reference.

The term "power tool" in the warning means a mains powered power tool or a battery -powered power tool.

Safety of the workplace

Warning!

Read all safety warnings, instructions, drawings, and regulations provided with the tool. Failure to follow the instructions listed below can result in electric shock, fire, and/or severe injury.

Workplace safety

- 1. Keep the work area clean and bright.** Clutter and dark field can cause accidents.
- 2. Do not operate power tools in an explosive environment, such as flammable liquids, gases, or dust.** Sparks from power tools can ignite dust or gas.
- 3. Keep away from children and bystanders when handling tools.** A lack of concentration will cause you to lose control of your tools.

Electric safety

- 1. Power tool plugs must fit into sockets. Plugs should never be modified in any way.** Power tools that need to be grounded cannot use any conversion plug. Unmodified plugs and matching sockets will reduce the risk of shock.
- 2. Keep human bodies away from ground surfaces, such as pipes, heat sinks, and refrigerators.** If you touch the ground surface you increase the risk of shock.
- 3. Do not expose power tools to rain or moisture.** Water entering power tools increases the risk of shock.

4. Soft cord must not be abused Never handle, pull, or unplug a power tool with a flexible cord. Keep the cord away from heat, oil, sharp edges, or moving parts. Damaged or tangled cords increase the risk of shock.

5. When using power tools outdoors, use an extension cord suitable for outdoor use. Electrical wiring suitable for outdoor use will reduce the risk of shock.

6. If handling power tools in a wet environment cannot be avoided, use a power source protected by a residual current device (RCD). The use of RCDs reduces the risk of shock.

7. Power tools produce an electromagnetic field (EMF) that is harmless to the user. However, users of pacemakers and other similar medical devices should consult their device's manufacturer and/or physician for advice before operating this power tool.

Electric suction cup use safety warning

1. Do not adsorb oversized workpieces.

2. Do not adsorb the workpiece whose weight exceeds the adsorption force.

3. Ensure that proper space is reserved around the work piece to prevent it from touching objects such as the floor or workbench.

4. Please hold this tool firmly.

5. During the adsorption process, ensure that the sucker is in contact with the workpiece.

6. Tools in operation should not be placed out of hand. Operate tools only with tools in hand.

7. Do not operate the tool in no load mode unless necessary.

Use and precautions of electric sucker

1. Do not force the use of electric suction cup, according to the use of appropriate electric suction cup. Use the proper rated electric suction cup design will make you work more efficiently and safely.

2. If the switch cannot turn on or off the power source, the electric sucker cannot be used. Electric suckers that cannot be controlled by a switch are dangerous and must be repaired.

3. Store idle electric suckers out of the reach of children, and do not allow people who are not familiar with electric suckers and do not understand these instructions to operate the electric suckers. Electric suckers are dangerous in the hands of untrained users

4. Keep the handle and grip surface dry, clean, and free of grease. In the event of an accident, a slippery handle does not guarantee a secure grip and control of the tool.

5. Under abusive conditions, liquid may spill from the battery pack; Contact should be avoided. If you accidentally touch liquid, rinse with water. If the fluid touches the eye, seek medical help. Liquid spills from the battery may cause corrosion or combustion.

6. Do not expose the battery to fire or high temperatures. Exposure of batteries to fire or high temperatures above 130 °C may cause explosions.

7. Follow all charging instructions. Do not charge a battery pack or power tool outside the temperature range specified in the instructions. Charging incorrectly or outside the specified temperature range can damage the battery and increase the risk of fire.

Maintain

Note: Do not use gasoline, benzene, thinner, alcohol or similar substances

Clean the tools. Otherwise, the tool may become discolored, deformed, or cracked

In order to ensure the safety and reliability of the products, the repair and any other maintenance or adjustment shall be done by the factory maintenance Service Center.

Maintenance

1. Have professional maintenance personnel use the same spare parts repair tools. This will ensure the safety of the tools being repaired.

2. Never repair a damaged battery pack Pools can only be repaired by the manufacturer or its authorized maintenance service provider.

3. Please follow this instruction manual when applying lubricating oil and changing accessories.