

SPECIFICATION SHEET

20 x 10mm Flat Listello



• T: 01543 500893 • F: 01543 500894 • E: sales@tilerite.co.uk • W: tilerite.co.uk

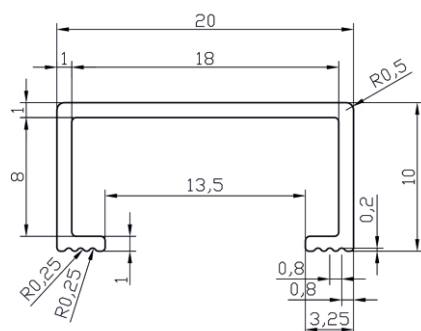
Product Description

This Tile Rite anodised aluminium Listello is a decorative feature strip developed for visual wall design. Can be used between tiles horizontally or vertically.

Dimensions and Colour

Available in 10mm depth and finishes of Bright Silver and Black Nickel. Length 2.44m

Specification Drawings



Technical Details

6463-T6 aluminum is a type of 6463 aluminum. It is furnished in the T6 temper. To achieve this temper, the metal is solution heat-treated and artificially aged until it meets standard mechanical property requirements.

CODE	DEPTH	LENGTH	FINISH
NLS371	10MM	2.44M	BRIGHT SILVER
NLS838	10MM	2.44M	BLACK NICKEL

Maintenance

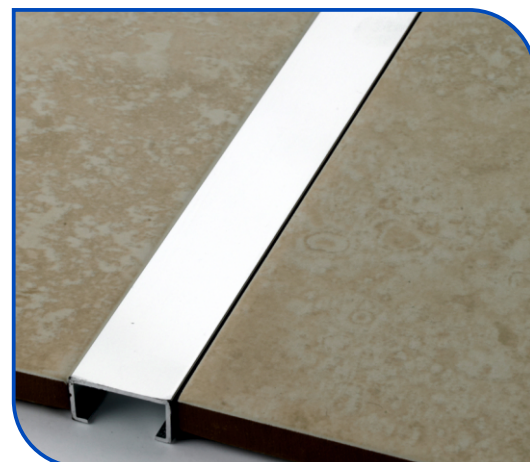
Tile Rite 20 x 10mm Flat Listello does not require any special maintenance.

Aluminium must be tested to verify its suitability if chemical stresses are anticipated.

Cementitious materials, in conjunction with moisture, become alkaline. Since aluminium is sensitive to alkaline substances, exposure to the alkali (depending on the concentration and time of exposure) may result in corrosion (aluminium hydroxide formation). Therefore, it is important to remove adhesive or grout residue from visible surfaces. In addition, ensure that the profile is solidly embedded in the setting material and that all cavities are filled to prevent the collection of alkaline water.

The anodised layer creates a finish that retains a uniform appearance during normal use. The surface, however, is susceptible to scratching and wear and may be damaged by tile adhesive, mortar, or grouting material. Therefore, setting materials must be removed immediately.

Once installed, maintaining the initial appearance of anodised aluminium is a simple matter. The soot and grime which builds up on surfaces from time to time contains moisture and salts which will adversely affect the anodised coating and must be removed. Anodised coatings should be washed down regularly (at least once each 6 months). The aluminium should be washed down with soapy water - use a neutral detergent- and rinsed off with clean water.



Installation

- 1 Measure Listello strip & cut to length required.
- 2 Apply adhesive to wall, press Listello strip firmly into place and hold.
- 3 Grout to finish ensuring all excess grout is removed with water and a sponge within 10 mins of application.

Aluminium AA 6463 T6	
Si%	0.20 - 0.6
Fe%	0.15
Cu%	0.2
Mn%	0.05
Mg%	0.45 - 0.9
Zn%	0.05
Ti%	0.05
Cr%	0.05
Pb	0.15
Al	98

FOR INDOOR USE

Corrosion Resistance	No Corrosion when Material in water or Cleaning Agent 9<PH<3
Wear Abrasion Resistance (Pedestrian Traffic)	Anodized Hardness: 200-300 HV Bright Silver - coating film 3my-7my S/Steel effect & Black Nickel - coating film 8my-20my
Cleaning recommendations/restrictions	No Corrosion when Material in water or Cleaning Agent 9<PH<3
Temperature	<80° C