

SPECIFICATION SHEET

Aluminium Triangle Trim



• T: 01543 500893 • F: 01543 500894 • E: sales@tilerite.co.uk • W: tilerite.co.uk

Product Description

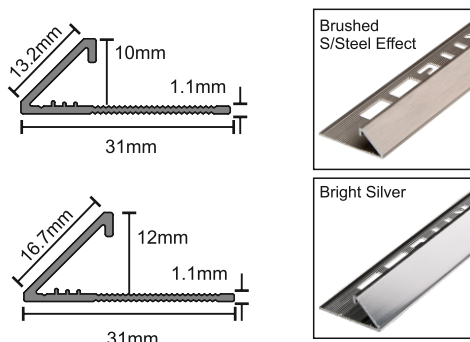
Tile Rite Triangle Trim is made of high quality aluminium, this unique tile trim offers an attractive, professional finish to ceramic tile counters and walls.

Tile Rite Triangular Trim is tough & durable and is designed to protect and decorate tiled outer wall corners and other tiled edges prone to damage.

Dimensions and Colour

Available in 10mm and 12mm depths and finishes of Bright Silver and Brushed Stainless Steel Effect. Length 2.44m

Specification Drawings



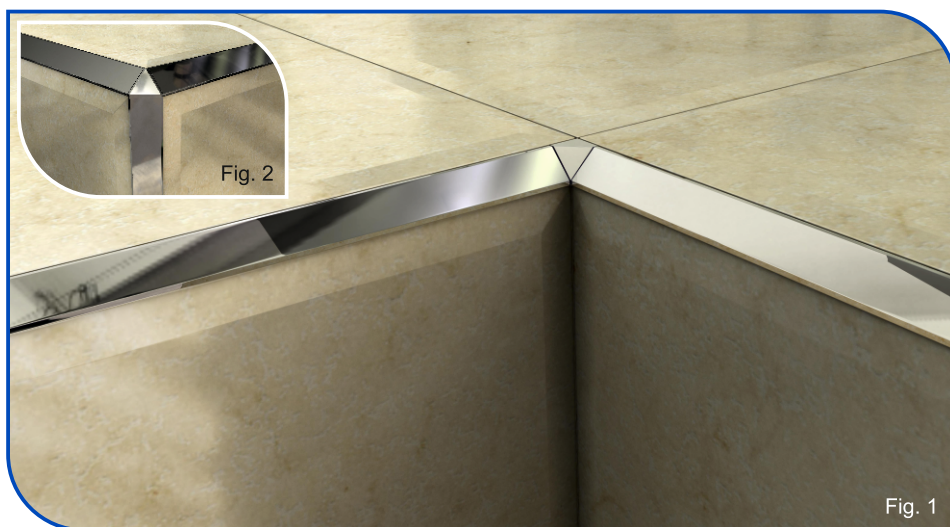
Technical Details

6463-T6 aluminum is a type of 6463 aluminum. It is furnished in the T6 temper. To achieve this temper, the metal is solution heat-treated and artificially aged until it meets standard mechanical property requirements.

Complimentary Products

These profiles have specifically designed external and internal corner pieces to provide a perfect safe edge where profiles meet *see fig 1 & 2. Available in 10mm and 12mm depths.

CODE	DEPTH	LENGTH	FINISH	INT CORNER	EXT CORNER
TRI858	10MM	2.44M	BRIGHT SILVER	TRII863	TRIE862
TRI859	12MM	2.44M	BRIGHT SILVER	TRII865	TRIE864
TRI860	10MM	2.44M	BRUSHED S/STEEL	TRII868	TRIE867
TRI861	12MM	2.44M	BRUSHED S/STEEL	TRII870	TRIE869



Maintenance

Tile Rite Triangle Trim does not require any special maintenance.

Aluminium must be tested to verify its suitability if chemical stresses are anticipated.

Cementitious materials, in conjunction with moisture, become alkaline. Since aluminium is sensitive to alkaline substances, exposure to the alkali (depending on the concentration and time of exposure) may result in corrosion (aluminium hydroxide formation). Therefore, it is important to remove adhesive or grout residue from visible surfaces. In addition, ensure that the profile is solidly embedded in the setting material and that all cavities are filled to prevent the collection of alkaline water.

The anodised layer creates a finish that retains a uniform appearance during normal use. The surface, however, is susceptible to scratching and wear and may be damaged by tile adhesive, mortar, or grouting material. Therefore, setting materials must be removed immediately.

Installation

- 1 Select trim according to tile thickness.
- 2 Trowel tile adhesive over the area that forms the perimeter of the tiled covering.
- 3 Press the perforated anchoring leg of the trim into the tile adhesive and align, mechanical fix if required.
- 4 Trowel additional adhesive over the perforated anchoring leg to ensure full coverage.
- 5 Solidly embed the tiles so that the tiled surface is flush with the top of the profile, the profile should not be higher than the tiled surface, but rather up to approximately 1mm lower.
- 6 Fill the joint completely with grout.

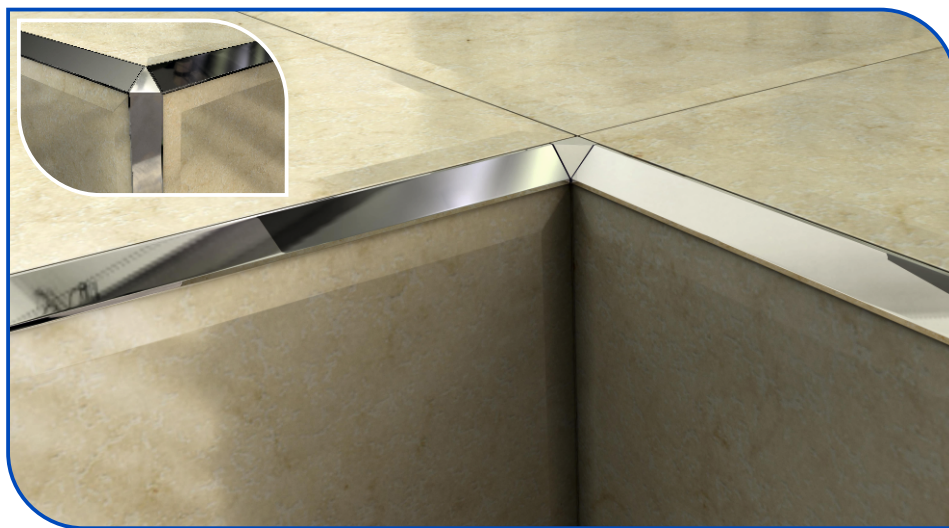
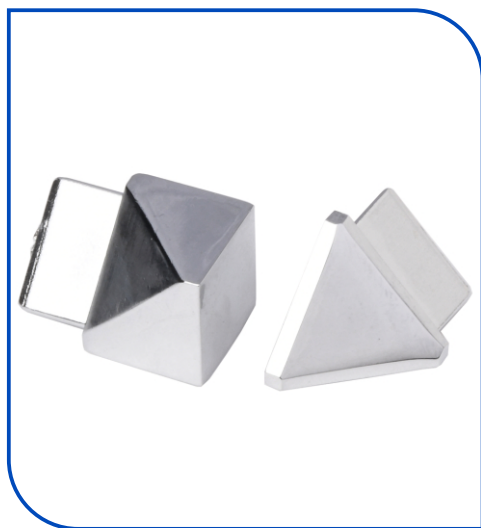
Aluminium AA 6463 T6	
Si%	0.20 - 0.6
Fe%	0.15
Cu%	0.2
Mn%	0.05
Mg%	0.45 - 0.9
Zn%	0.05
Ti%	0.05
Cr%	0.05
Pb	0.15
Al	98

SPECIFICATION SHEET

Aluminium Triangle Trim



• T: 01543 500893 • F: 01543 500894 • E: sales@tilerite.co.uk • W: tilerite.co.uk



FOR INDOOR USE

Corrosion Resistance	No Corrosion when Material in water or Cleaning Agent 9<PH<3
Wear Abrasion Resistance (Pedestrian Traffic)	Anodized Hardness: 200-300 HV Black Nickel & Brushed Black - coating film 8my-20my Bright Silver & Bright Gold- coating film 3my-7my Brushed S/Steel - coating film 8my-20my Matt Silver & Matt Gold - coating film 6my-15my
Cleaning Recommendations & Cleaning Restrictions/Prohibition	No Corrosion when Material in water or Cleaning Agent 9<PH<3
Temperature	<80° C